

BASO 2.5 PERIMETER



Catalog Number Example

BASO2.5-PM-RTR-BL-30K-C80-UNV-010V-455LF-ST-96IN

A RANGE

QS BASO 2.5 BASO2.5

I OUTPUT LM/FT

QS 455lm/ft 100% \pm 0 4 5 5 L F
QS 750lm/ft 100% \pm 0 7 5 0 L F

B SUB CATEGORY

QS Perimeter PM

J CIRCUIT / EM

QS Single circuit Single circuit *

C MOUNTING

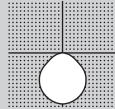
QS Recessed trimless R T L
QS Recessed with trim R T R
QS 9/16" Grid (any brand) 9 G R
QS 9/16" Slot Grid (any brand) 9 S G
QS 15/16" Grid (any brand) 1 5 G

K SHAPE / PATTERN

QS Linear / straight S T
QS Linear / straight + flex inset S F
 includes 1ft. field-cutttable section; only available for 4' and 8' segments

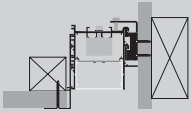
PERFORMANCE

- Up to 106lm/W efficiency
- 455 / 750lm/ft
- CRI > 80 & CRI > 90
- IC & Damp rated



MOUNTING

Perimeter



D COLOR

QS White W H
QS Black B L

L DIMENSIONS IN INCH

QS Linear 4' 4 8 I N
QS Linear 6' 7 2 I N
QS Linear 8' 9 6 I N
QS Custom length XX F T
 (QS in 2' increments only)

E CCT

QS 3000K 3 0 K
QS 3500K 3 5 K

F CRI

QS CRI > 80 C 8 0
QS CRI > 90 C 9 0

G VOLTAGE

QS 120V / 277V U N V

H DIMMING

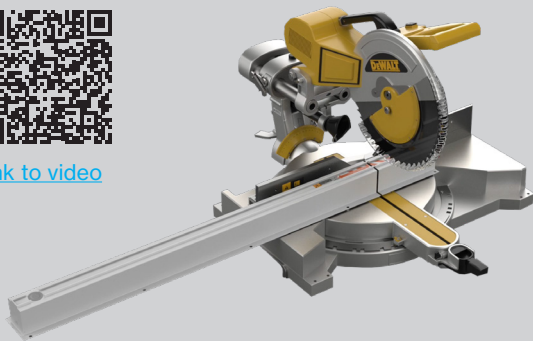
QS 0-10V 1% 0 1 0 V

FIELD-CUTTTABLE FLEX

Down to 1/16"



[link to video](#)





10 Business Days for all QuickShip items

- Maximum quantity: 400'
- "QuickShip" must be clearly listed on PO.
- QuickShip items must be on Separate Purchase Order.
- QuickShip orders must be received with complete and correct catalog numbers.
- Variant request will not qualify for QuickShip program.
- QuickShip orders must be received before 2 pm EST. After 2 pm, shipping will be based on the next business day.
- QuickShip orders are based on standard XAL terms for payment.
- Order change of any type will affect shipping times.
- Partial shipments may be required based on current factory inventory.

BASO
 basolighting.com
 xalusa.com

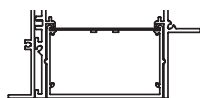
Technical data

	SIZE TYPE	LED COLOR TEMPERATURE	INPUT WATTS	DELIVERED LM TOTAL	LIGHT DISTRIBUTION	DELIVERED LM DIRECT	DELIVERED LM INDIRECT	OPTICAL EFFICIENCY	LUMINAIRE EFFICACY
BASO DIRECT									
e LED									
	4' linear	35K	17.5W	2200lm	100% down	455lm/ft	-	74%	106lm/W
	6' linear		25.8W	3300lm					
	8' linear		34.4W	4400lm					
e ² LED									
	4' linear	35K	29.5W	3000lm	100% down	750lm/ft	-	74%	102lm/W
	6' linear		44.2W	4500lm					
	8' linear		59W	6000lm					

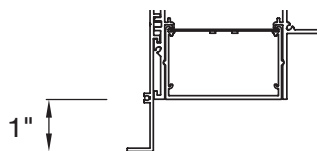
Perimeter depth

field adjustable

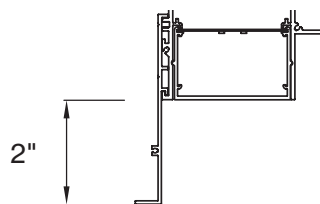
FLUSH



REGRESSED 1"



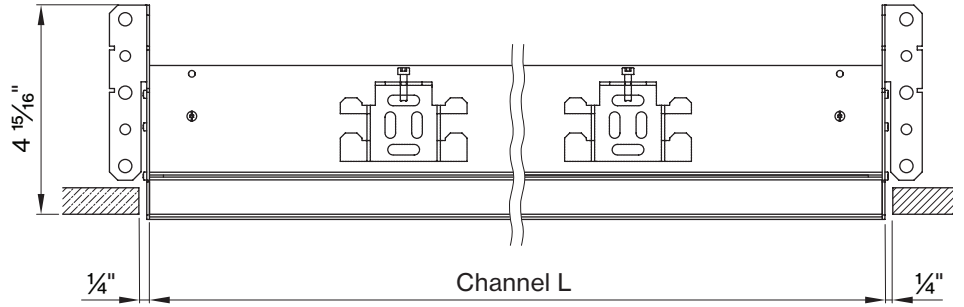
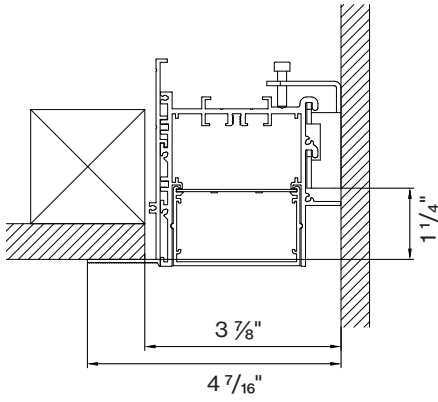
REGRESSED 2"



DIMENSIONS

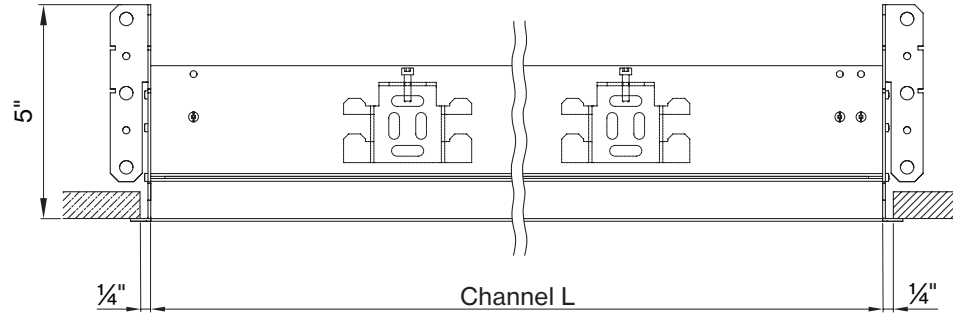
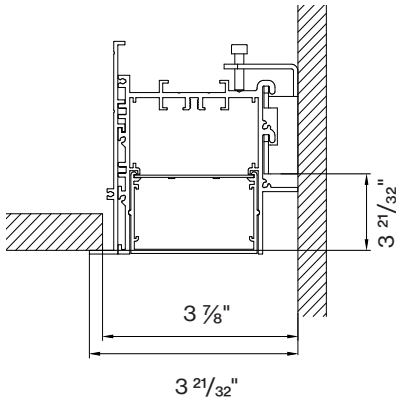
BASO 2.5 PERIMETER

trimless flush



please see BASO 2.5 PERIMETER mounting instructions for regressed dimensions

with trim flush



please see BASO 2.5 PERIMETER mounting instructions for regressed dimensions



BASO mounting instructions

Get access to the BASO 2.5 mounting instructions faster by scanning the QR code.

www.xalusa.com/resources/mounting-instructions/baso

